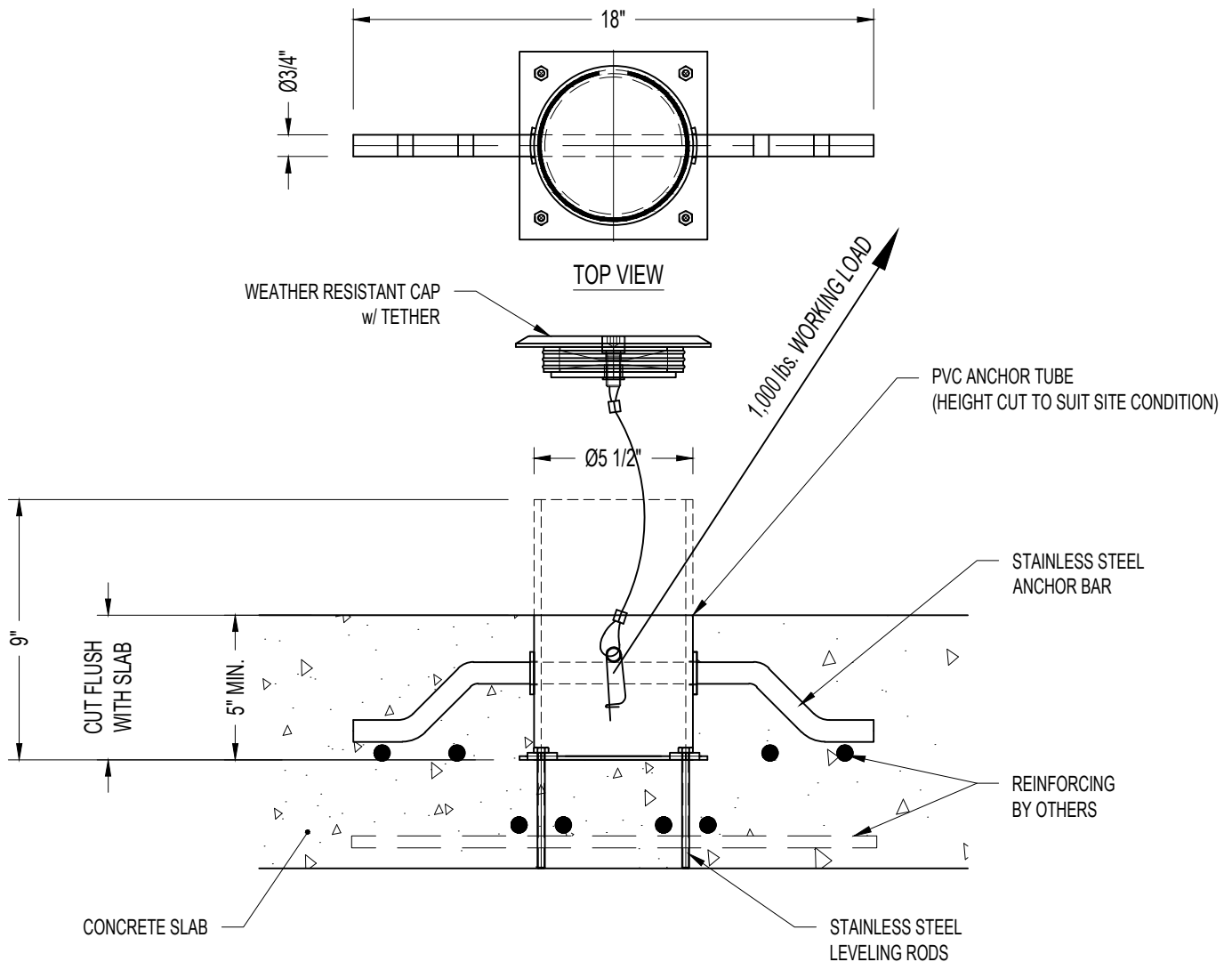


**NOTES:**

- 1,000 lbs. WORKING LOAD IN ANY DIRECTION.
- ASSEMBLY SHOWN IS A STANDARD FLUSH MOUNTED ANCHOR CAST IN A SLAB.

**IMPORTANT:**

1. THE SAFETY ANCHOR HAS BEEN DESIGNED TO ENSURE THAT FRACTURE OR DETACHMENT DOES NOT OCCUR WITH A 5,000 lbs. (22.2 KN) LOAD.
2. IT IS THE RESPONSIBILITY OF THE STRUCTURAL ENGINEER FOR THE OVERALL PROJECT TO ENSURE THAT THE STRUCTURE ON WHICH THE SAFETY EQUIPMENT BY PRO-BEL IS INSTALLED, IS REINFORCED TO WITHSTAND THE LOADS INDICATED ON THIS DRAWING.



**CAST IN PLACE FLUSH MOUNTED ANCHOR**