

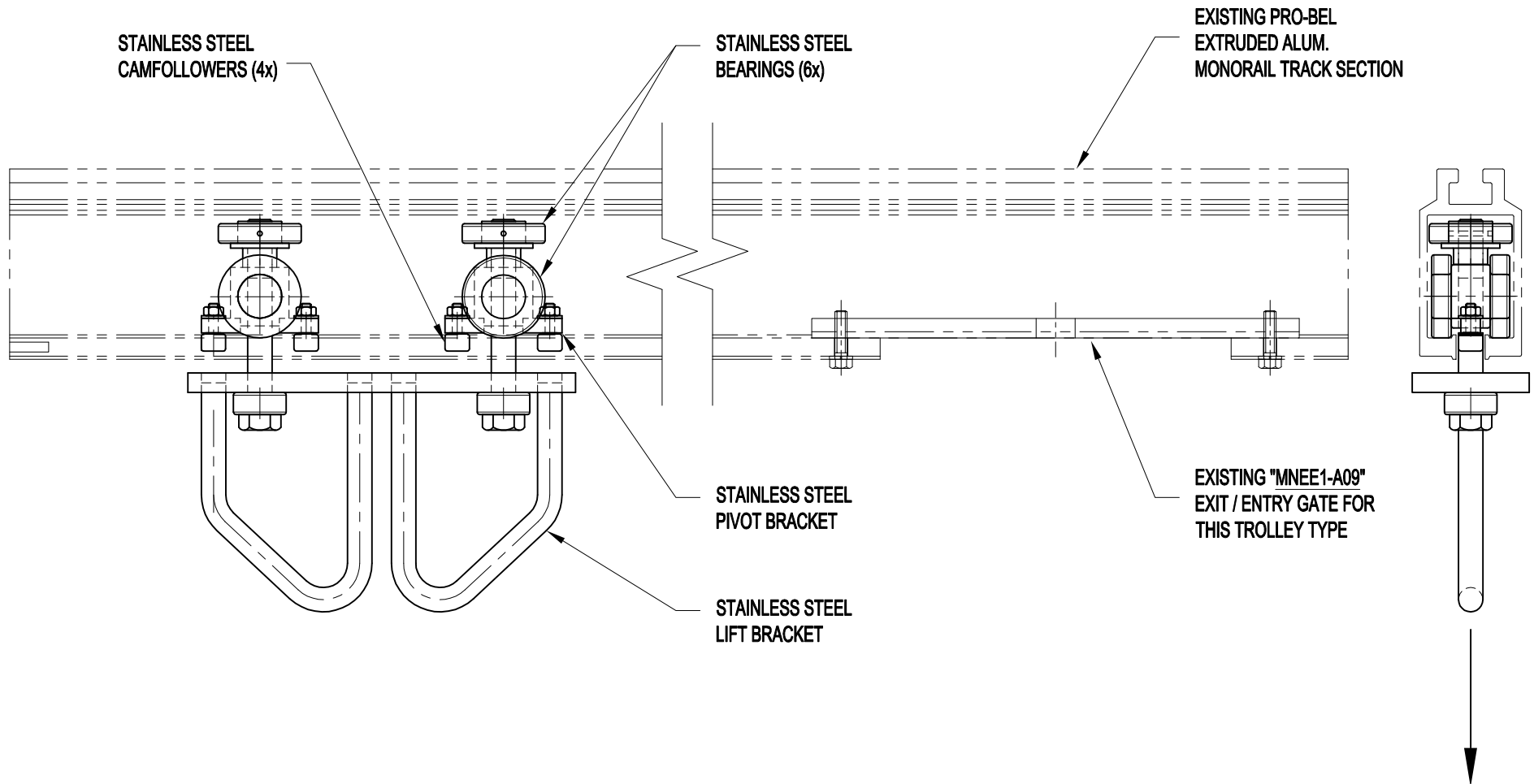
PRO-BEL 2000 SERIES TROLLEY (WITH NO BRAKE) FOR CURVED TRACK SECTIONS

PRODUCT ID.
TR8-020S

SHEET NO.
01

NOTES:

1. SYSTEM GOOD FOR UP TO 1,000 LB WORKING LOAD ONLY.
2. SEE MONORAIL CATALOG FOR MORE DETAILS ON PRO-BEL MONORAIL SYSTEM, INCLUDING OTHER AVAILABLE ACCESSORIES.



1,000 lbs. WORKING LOAD



PRO-BEL ENTERPRISES LTD.
765 WESTNEY ROAD S., AJAX, ONTARIO L1S 6W1
TEL: (905) 427-0616 FAX: (905) 427-2545
1(800) 461-0575
VISIT OUR WEBSITE @ WWW.PRO-BEL.CA

PRO-BEL DESIGNS, MANUFACTURES, AND INSTALLS PRE-ENGINEERED
WINDOW CLEANING/SUSPENDED MAINTENANCE EQUIPMENT
& FALL PROTECTION SYSTEMS

- ROOF & WALL ANCHORS
- OUTRIGGER BEAMS
- POWERED PLATFORMS
- RIGGING SLEEVES
- DAVITS
- HORIZONTAL LIFELINE SYSTEMS
- MONORAIL SYSTEMS
- ROOF CARS
- GANTRIES
- LADDER & GUARDRAILS
- MATERIALS WINCH-HOISTS
- STABILIZATION SYSTEMS & more....