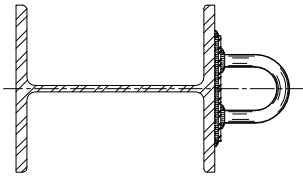


NOTES:

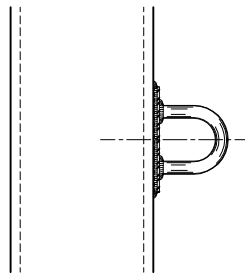
1. 1,000 lbs. WORKING LOAD IN ANY DIRECTION.
2. ASSEMBLY SHOWN AS WELDED TO VARIOUS EXISTING STEEL STRUCTURES.

IMPORTANT:

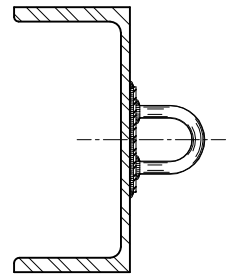
1. THE SAFETY ANCHOR HAS BEEN DESIGNED TO ENSURE THAT FRACTURE OR DETACHMENT DOES NOT OCCUR WITH A 5,000 lbs. (22.2 KN) LOAD.
2. IT IS THE RESPONSIBILITY OF THE STRUCTURAL ENGINEER FOR THE OVERALL PROJECT TO ENSURE THAT THE STRUCTURE ON WHICH THE SAFETY EQUIPMENT BY PRO-BEL IS INSTALLED, IS REINFORCED TO WITHSTAND THE LOADS INDICATED ON THIS DRAWING.



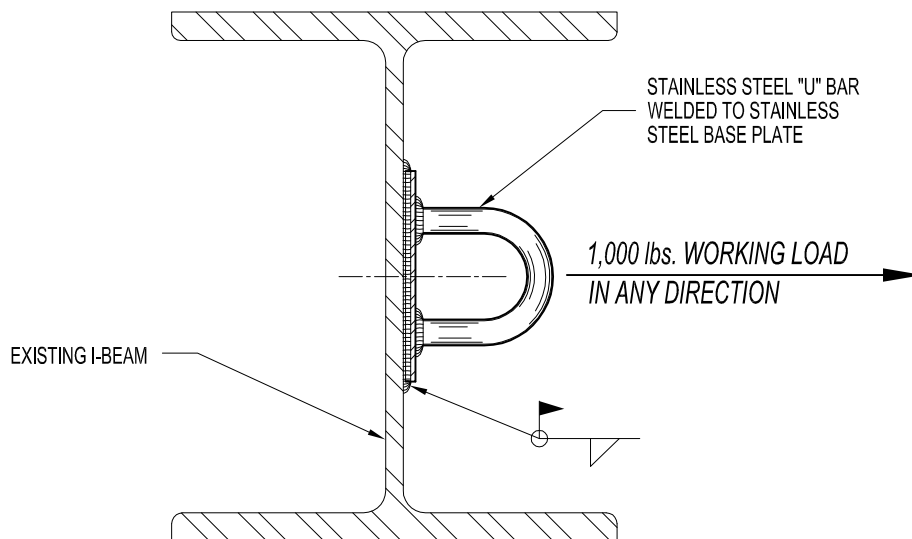
I-BEAM FLANGE



HSS SECTION



"C" CHANNEL



SAFETY ANCHOR WELDED TO I-BEAM WEB

**PB80S: WELD TO STEEL STRUCTURE WALL ANCHOR**