



Pro-Bel Group Ltd.
765 Westney Road South
Ajax, Ontario, Canada L1S 6W1

Toll Free: (800) 461-0575
Tel: (905)-427-0616
Fax: (905)-427-2545
Email: info@pro-belgroup.com

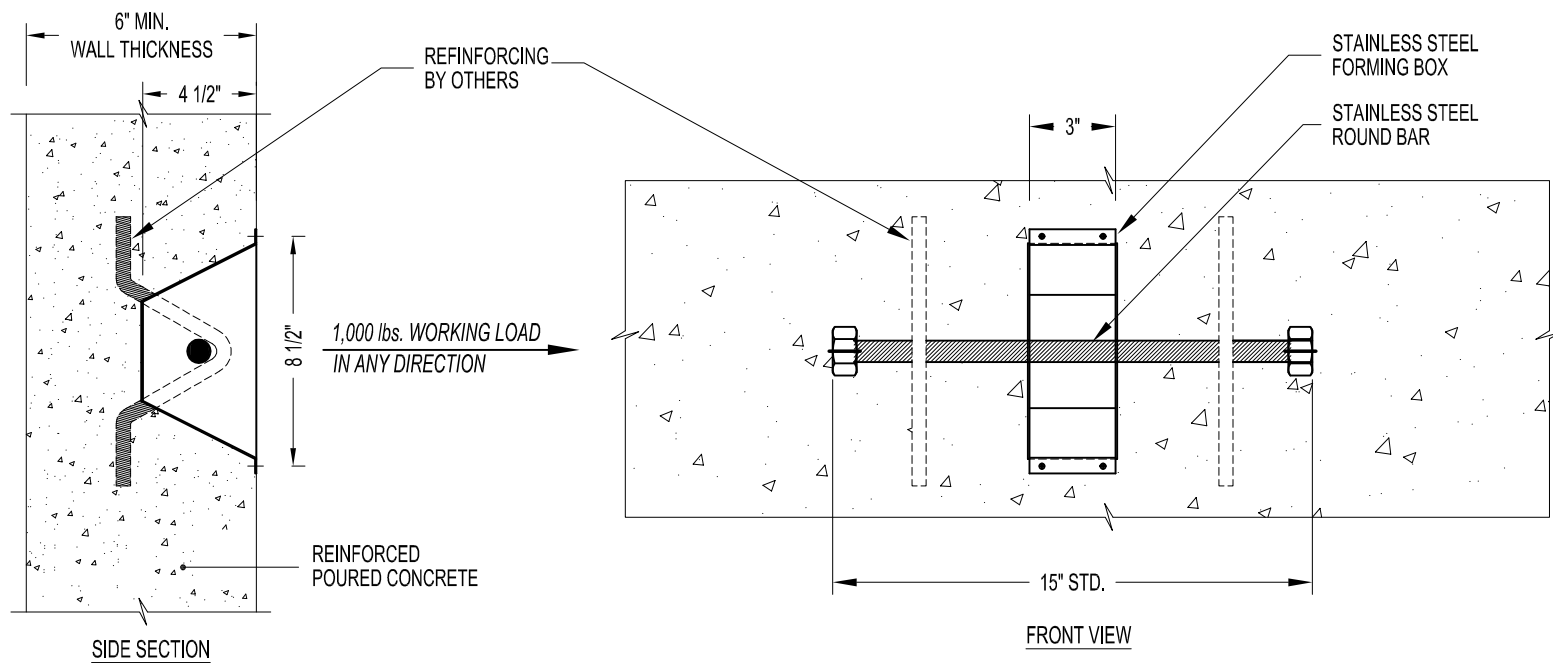
NOTES:

1. 1,000 lbs. WORKING LOAD IN ANY DIRECTION.
2. ASSEMBLY SHOWN AS INSTALLED IN REINFORCED POURED CONCRETE WALL.
3. MINIMUM WALL THICKNESS IS 6".

IMPORTANT:

1. FALL ARREST SAFETY ANCHORS ARE DESIGNED TO A TYPICAL MAXIMUM FALL ARRESTING FORCE OF 1,800 lbs. (8.0 KN) WHEN WEARING A BODY HARNESS, WITH A FACTOR OF SAFETY OF 2 WITHOUT ANY PERMANENT DEFORMATION, AND TO 5,000 lbs. (22.2 KN) AGAINST FRACTURE OR DETACHMENT.

2. IT IS THE RESPONSIBILITY OF THE STRUCTURAL ENGINEER FOR THE OVERALL PROJECT TO ENSURE THAT THE STRUCTURE ON WHICH THE SAFETY EQUIPMENT BY PRO-BEL IS INSTALLED, IS REINFORCED TO WITHSTAND THE LOADS INDICATED ON THIS DRAWING.



PB68S: CAST IN PLACE RECESSED WALL ANCHOR