



Pro-Bel Group Ltd.
765 Westney Road South
Ajax, Ontario, Canada L1S 6W1

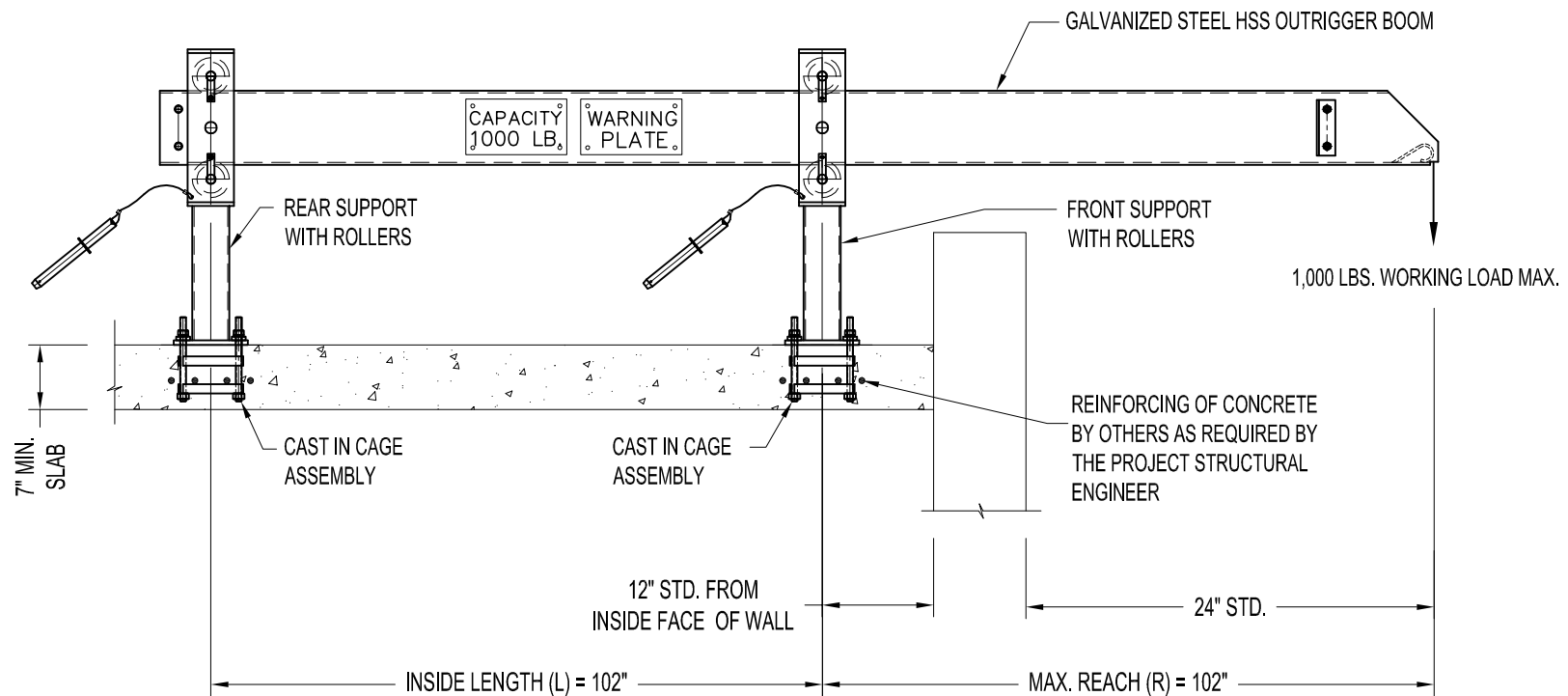
Toll Free: (800) 461-0575
Tel: (905)-427-0616
Fax: (905)-427-2545
Email: info@pro-belgroup.com

NOTES:

1. 1,000 lbs. WORKING LOAD.
2. ASSEMBLY SHOWN IS FOR SINGLE SUSPENSION. WORKER'S LIFELINE TO BE TIED TO INDEPENDENT ANCHOR.
3. THE INBOARD END OF THE OUTRIGGER SHALL NOT BE LESS THAN 1 TIMES THE OUTBOARD END IN LENGTH ($L > R$).
4. ASSEMBLY SHOWN IS FOR CAST IN CAGE APPLICATION. MINIMUM 7" SLAB REQUIRED.
5. ASSEMBLY SHOWN IS FOR MAX. REACH OF 8'-6".

IMPORTANT:

1. OUTRIGGERS ARE DESIGNED TO A TYPICAL SUSPENSION WORKING LOAD OF 1,000 lbs. (4.5 KN), WITH A FACTOR OF SAFETY OF 4 AGAINST FRACTURE OR DETACHMENT.
2. IT IS THE RESPONSIBILITY OF THE STRUCTURAL ENGINEER FOR THE OVERALL PROJECT TO ENSURE THAT THE STRUCTURE ON WHICH THE SAFETY EQUIPMENT BY PRO-BEL IS INSTALLED, IS REINFORCED TO WITHSTAND THE LOADS INDICATED ON THIS DRAWING.



A-OR-3340-102: FIXED OUTRIGGER ASSEMBLY (UP TO 8'-6" REACH) - CAST IN CAGE