

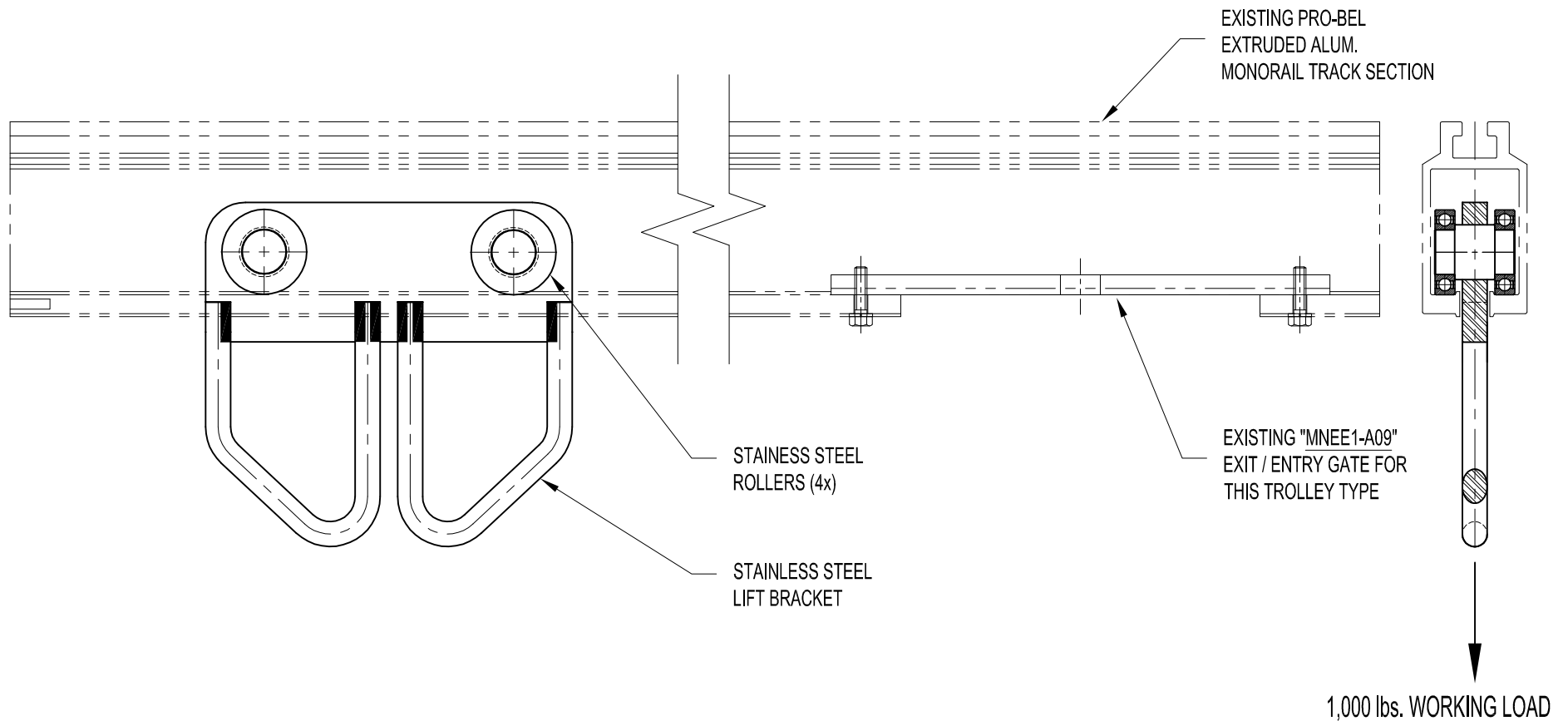


**Pro-Bel Group Ltd.**  
765 Westney Road South  
Ajax, Ontario, Canada L1S 6W1

Toll Free: (800) 461-0575  
Tel: (905)-427-0616  
Fax: (905)-427-2545  
Email: info@pro-belgroup.com

**NOTES:**

1. SYSTEM GOOD FOR UP TO 1,000 LB WORKING LOAD ONLY.
2. SEE MONORAIL CATALOG FOR MORE DETAILS ON PRO-BEL MONORAIL SYSTEM, INCLUDING OTHER AVAILABLE ACCESSORIES.



**TR9-010S: PRO-BEL 4-POINT SUSPENSION MONORAIL TROLLEY (WITH NO BRAKE) FOR STRAIGHT SECTIONS**

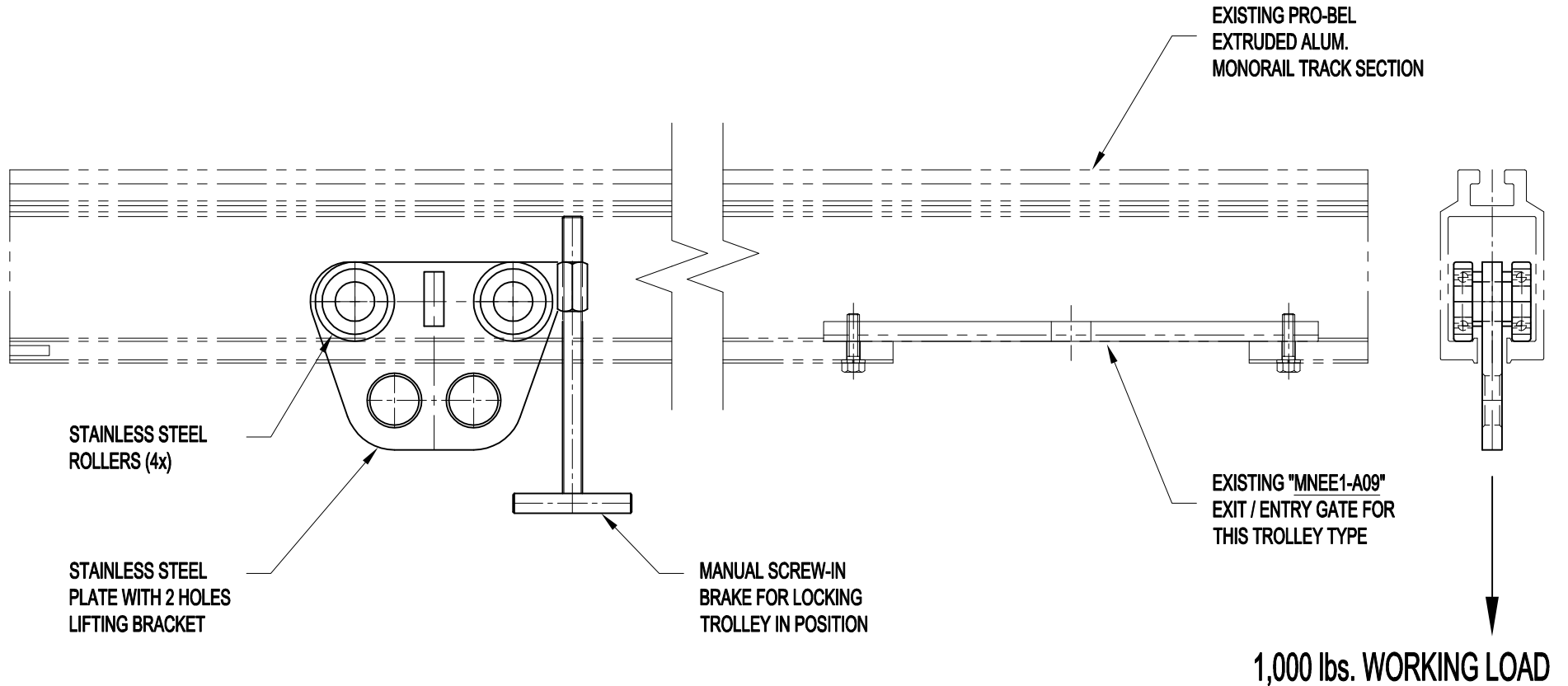
# PRO-BEL 4-POINT SUSPENSION MONORAIL TROLLEY (WITH BRAKE) FOR STRAIGHT SECTIONS

PRODUCT ID.  
**TR9-040S**

SHEET NO.  
**01**

**NOTES:**

1. SYSTEM GOOD FOR UP TO 1,000 LB WORKING LOAD ONLY.
2. SEE MONORAIL CATALOG FOR MORE DETAILS ON PRO-BEL MONORAIL SYSTEM, INCLUDING OTHER AVAILABLE ACCESSORIES.



**PRO-BEL ENTERPRISES LTD.**  
765 WESTNEY ROAD S., AJAX, ONTARIO L1S 6W1  
TEL: (905) 427-0616 FAX: (905) 427-2545  
1(800) 461-0575  
VISIT OUR WEBSITE @ [WWW.PRO-BEL.CA](http://WWW.PRO-BEL.CA)

PRO-BEL DESIGNS, MANUFACTURES, AND INSTALLS PRE-ENGINEERED  
WINDOW CLEANING/SUSPENDED MAINTENANCE EQUIPMENT  
& FALL PROTECTION SYSTEMS

- ROOF & WALL ANCHORS
- OUTRIGGER BEAMS
- POWERED PLATFORMS
- RIGGING SLEEVES
- DAVITS
- HORIZONTAL LIFELINE SYSTEMS
- MONORAIL SYSTEMS
- ROOF CARS
- GANTRIES
- LADDER & GUARDRAILS
- MATERIALS WINCH-HOISTS
- STABILIZATION SYSTEMS & more....