



**Pro-Bel Group Ltd.**  
765 Westney Road South  
Ajax, Ontario, Canada L1S 6W1

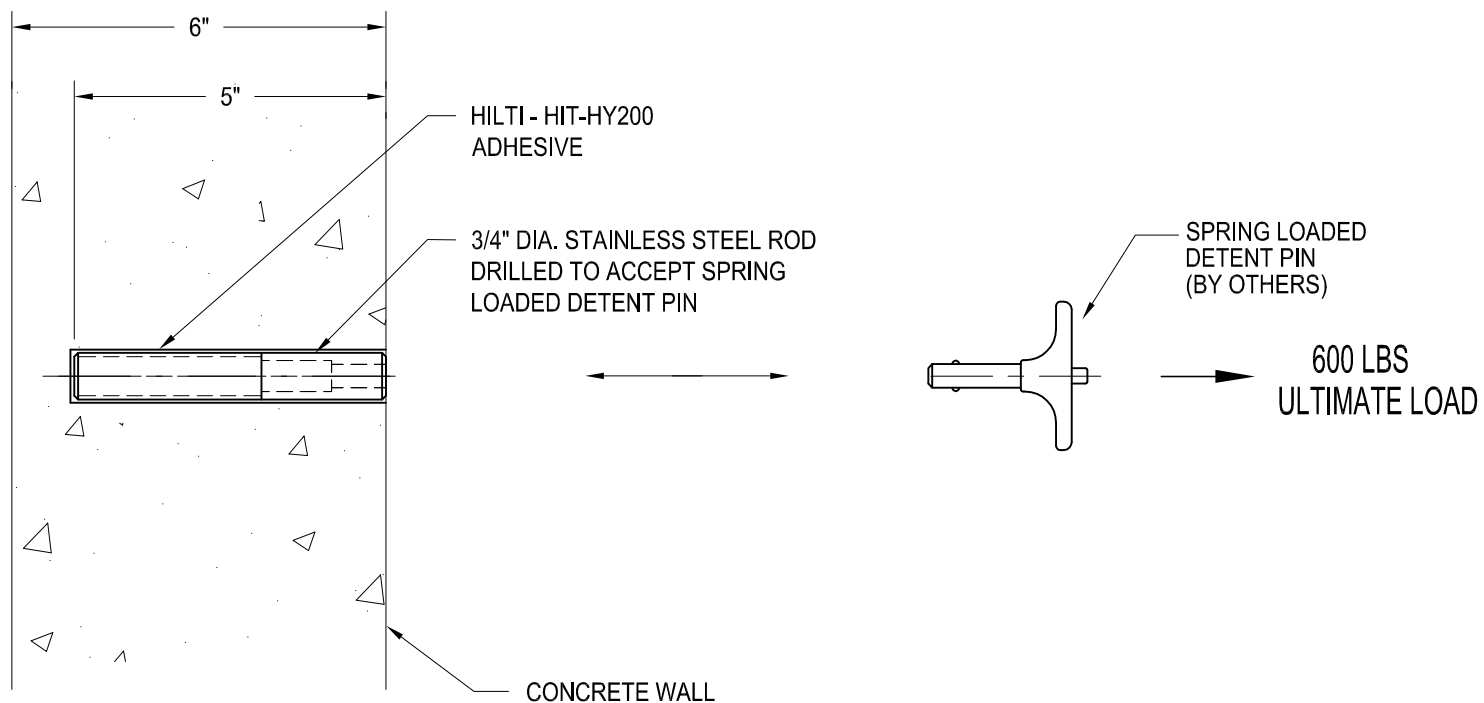
Toll Free: (800) 461-0575  
Tel: (905)-427-0616  
Fax: (905)-427-2545  
Email: info@pro-belgroup.com

NOTES:

1. 600 lbs. ULTIMATE LOAD IN ANY DIRECTION.
2. MIN. CONCRETE WALL THICKNESS IS 6".
3. MODEL SHOWS SPRING LOADED (QUICK-RELEASE) DETENT PIN - BY OTHERS.

IMPORTANT:

1. IT IS THE RESPONSIBILITY OF THE STRUCTURAL ENGINEER FOR THE OVERALL PROJECT TO ENSURE THAT THE STRUCTURE ON WHICH THE SAFETY EQUIPMENT BY PRO-BEL IS INSTALLED, IS REINFORCED TO WITHSTAND THE LOADS INDICATED ON THIS DRAWING.



**A-STB-RDA1712-05A: ADHESIVE TO CONCRETE STABILIZATION TO SUIT SPRING LOADED DETENT PIN**