

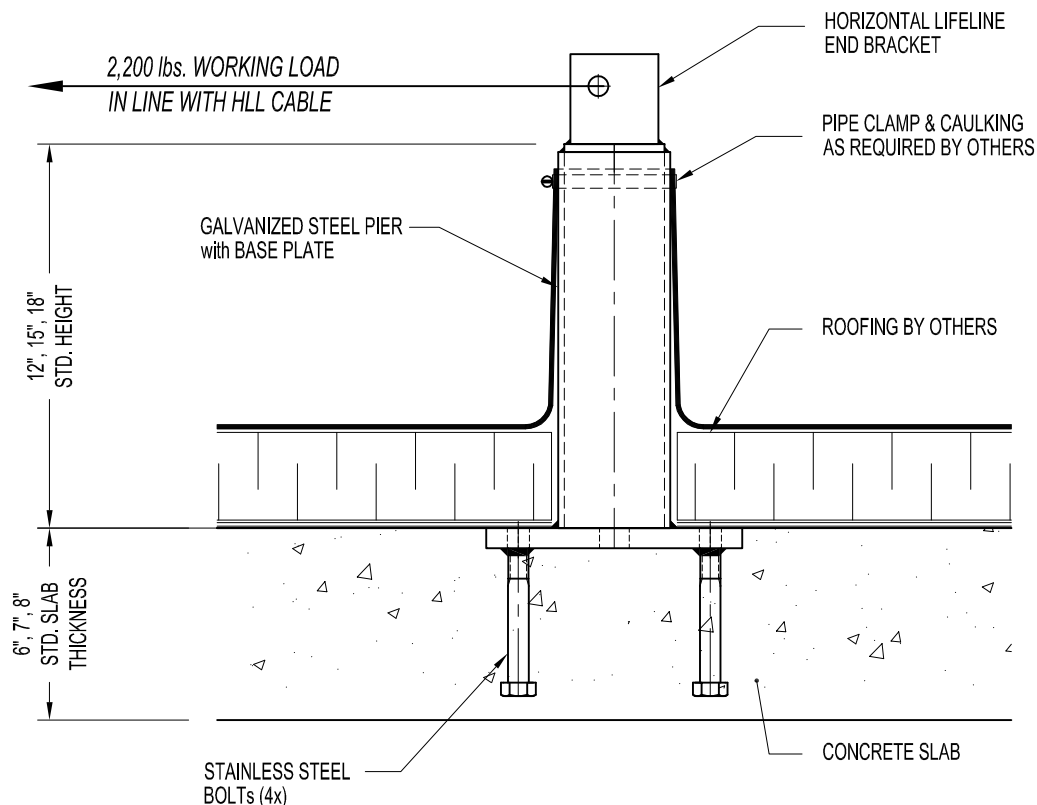
**NOTES:**

1. 2,200 lbs. WORKING LOAD (WHEN USING PRO-BEL IN LINE SHOCK ABSORBER- PRO-SHOCK).
2. ASSEMBLY SHOWN IS 12", 15 & 18" HIGH MODELS FOR STANDARD SLAB THICKNESS OF 6" TO 8".
3. MINIMUM CONCRETE SLAB THICKNESS TO BE 6".
4. ASSEMBLY SHOWN WITH CONVENTIONAL SINGLE PLY ROOFING (BY OTHERS) - NO FLASHING.

**IMPORTANT:**

1. HORIZONTAL LIFELINE ANCHORS ARE DESIGNED TO A MAXIMUM FORCE OF 2,200 lbs. (9.8 KN) WHEN USING "PRO-SHOCK", WITH A FACTOR OF SAFETY OF 2 WITHOUT ANY PERMANENT DEFORMATION, FRACTURE OR DETACHMENT.

2. IT IS THE RESPONSIBILITY OF THE STRUCTURAL ENGINEER FOR THE OVERALL PROJECT TO ENSURE THAT THE STRUCTURE ON WHICH THE SAFETY EQUIPMENT BY PRO-BEL IS INSTALLED, IS REINFORCED TO WITHSTAND THE LOADS INDICATED ON THIS DRAWING.



MAX. LIMIT = 18"