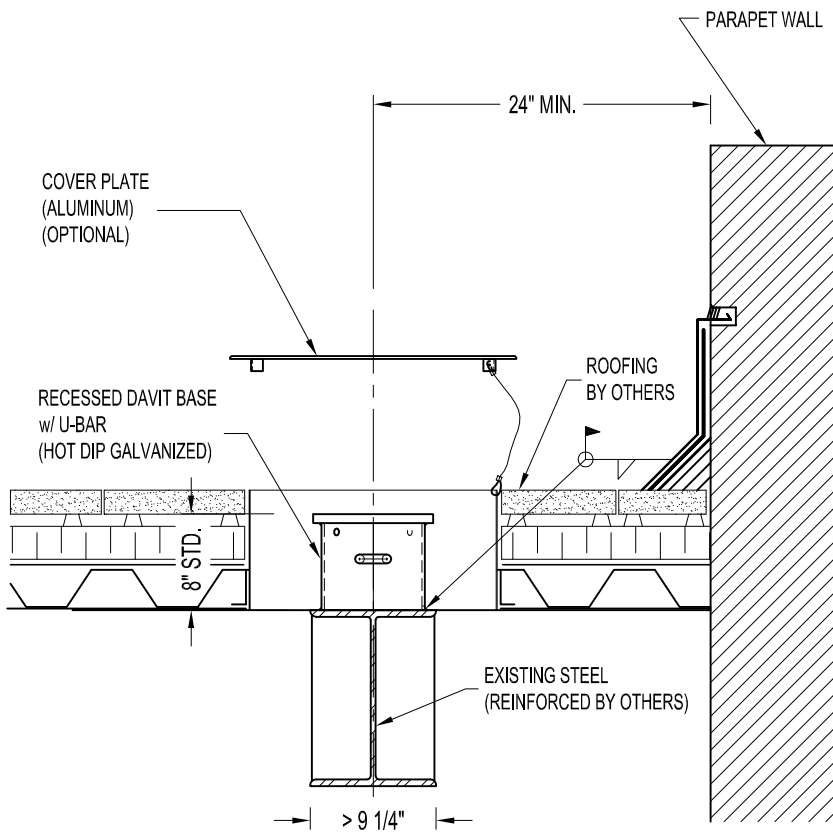


NOTES:

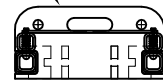
1. 8'-6" MAX. REACH WITH 1,000 lbs. WORKING LOAD.
2. DAVIT BASE ASSEMBLY SHOWN AS RECESSED SITUATION, WELDED TO EXISTING STEEL STRUCTURE.
3. ASSEMBLY SHOWN IS STANDARD 8" HIGH MODELS.
4. BASE PLATE REQUIRED WHEN BEAM WIDTH IS LESS THAN 9 1/4".
5. ASSEMBLY SHOWN CAN BE USED WITH 200 & 500 SERIES ADAPTOR FOR ALL TYPE OF DAVIT ARMS.

IMPORTANT:

1. DAVIT BASES ARE DESIGNED TO A TYPICAL SUSPENSION LOAD OF 1,000 lbs. (4.5 KN), WITH A FACTOR OF SAFETY OF 4 AGAINST FRACTURE OR DETACHMENT.
2. IT IS THE RESPONSIBILITY OF THE STRUCTURAL ENGINEER FOR THE OVERALL PROJECT TO ENSURE THAT THE STRUCTURE ON WHICH THE SAFETY EQUIPMENT BY PRO-BEL IS INSTALLED, IS REINFORCED TO WITHSTAND THE LOADS INDICATED ON THIS DRAWING.



200 SERIES ADAPTOR
with or without WINCH SOCKET
SLIDE ONTO DAVIT BASE
(MODEL #ADW622-08)

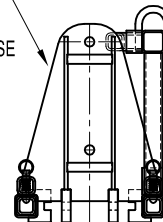


600 SERIES DAVIT BASE
w/ U-BAR
(MODEL #DB6-2301A)



600 SERIES BASE w/ 200 SERIES ADAPTOR

500 SERIES ADAPTOR
w/ WINCH BRACKET
SLIDE ONTO DAVIT BASE
(MODEL #ADW652-22)



600 SERIES DAVIT BASE
w/ U-BAR
(MODEL #DB6-2301A)



600 SERIES BASE w/ 500 SERIES ADAPTOR

DB6-2301A: 600 SERIES RECESSED DAVIT BASE (WELDMENT) - WITH U-BAR