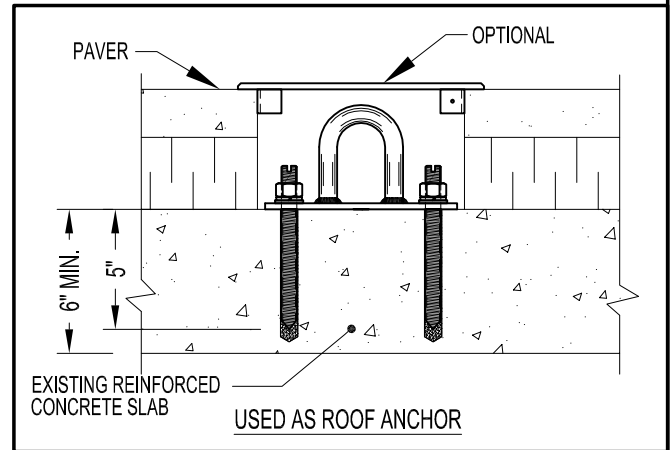
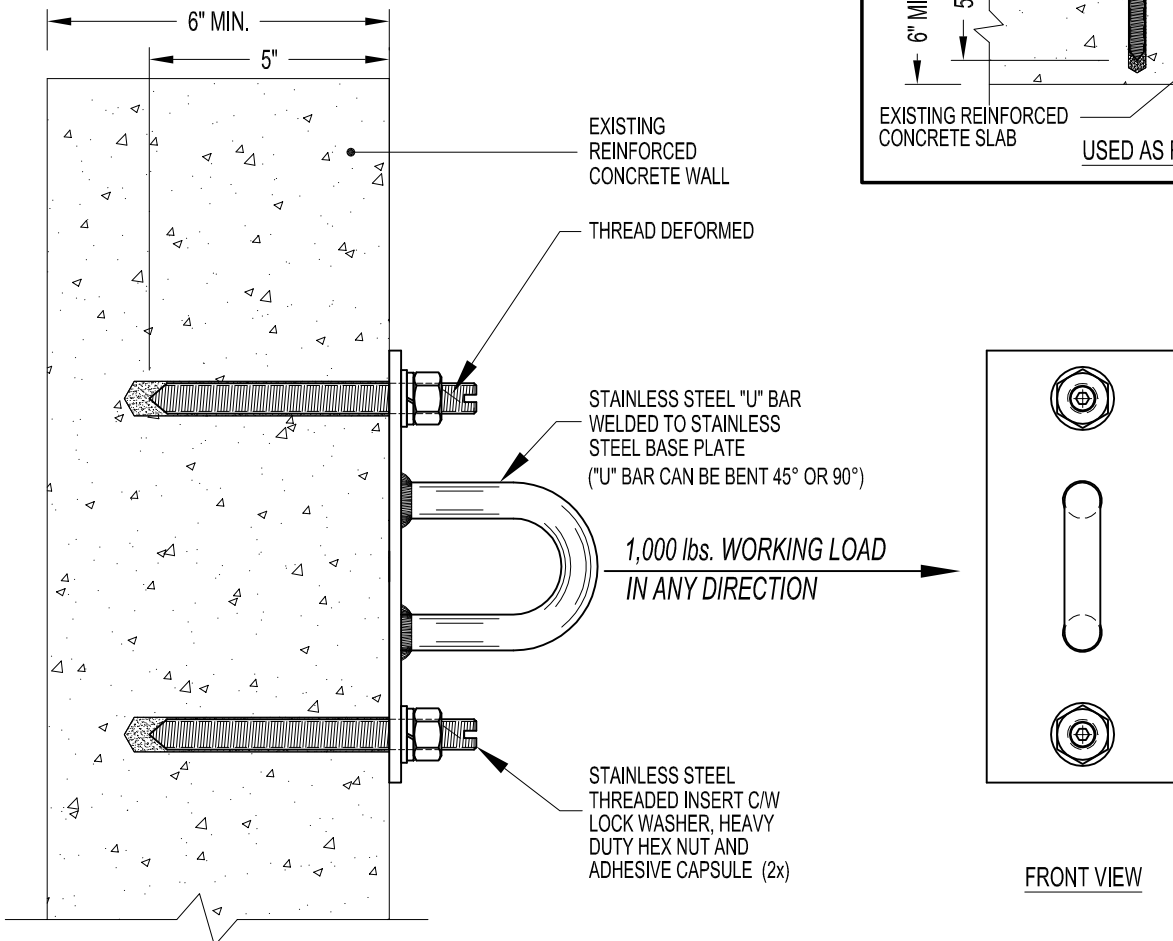


NOTES:

1. 1,000 lbs. WORKING LOAD IN ANY DIRECTION.
2. ASSEMBLY SHOWN AS INSTALLED THROUGH EXISTING REINFORCED CONCRETE WALL.
3. MINIMUM CONCRETE WALL THICKNESS IS 6".
4. ALL ADHESIVE ANCHORS MUST BE LOAD TESTED.
5. ASSEMBLY AVAILABLE IN UNITED STATES ONLY.

IMPORTANT:

1. THE SAFETY ANCHOR HAS BEEN DESIGNED TO ENSURE THAT FRACTURE OR DETACHMENT DOES NOT OCCUR WITH A 5,000 lbs. (22.2 kN) LOAD.
2. IT IS THE RESPONSIBILITY OF THE STRUCTURAL ENGINEER FOR THE OVERALL PROJECT TO ENSURE THAT THE STRUCTURE ON WHICH THE SAFETY EQUIPMENT BY PRO-BEL IS INSTALLED, IS REINFORCED TO WITHSTAND THE LOADS INDICATED ON THIS DRAWING.



PB48S-2S: ADHESIVE WALL ANCHOR (TWO STUDS)



Pro-Bel Group Ltd.
765 Westney Road South
Ajax, Ontario, Canada L1S 6W1

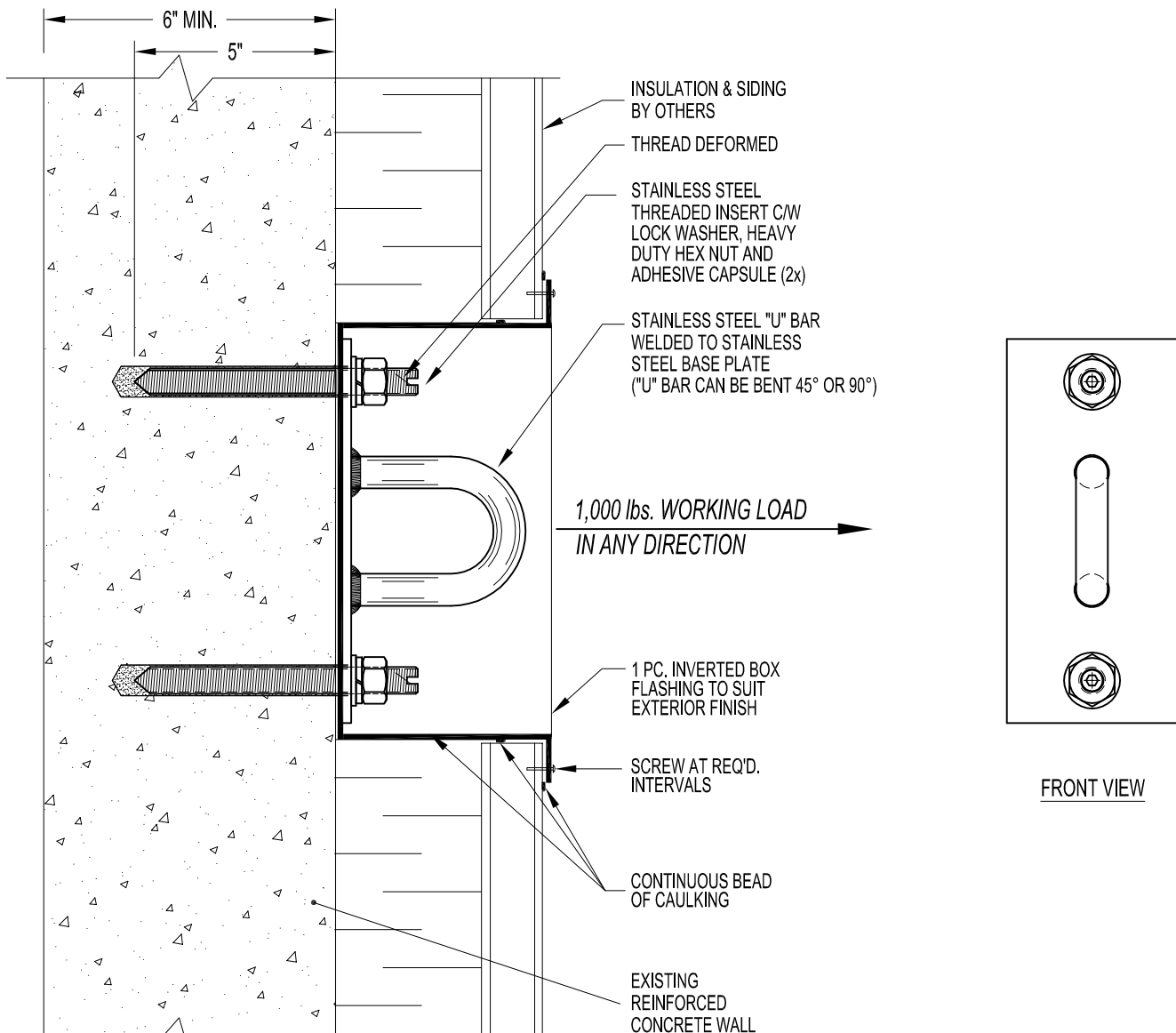
Toll Free: (800) 461-0575
Tel: (905)-427-0616
Fax: (905)-427-2545
Email: info@pro-belgroup.com

NOTES:

1. 1,000 lbs. WORKING LOAD IN ANT DIRECTION.
2. ASSEMBLY SHOWN AS INSTALLED THROUGH EXISTING REINFORCED CONCRETE WALL.
3. MINIMUM CONCRETE WALL THICKNESS IS 6".
4. ALL ADHESIVE ANCHORS MUST BE LOAD TESTED.
5. ASSEMBLY AVAILABLE IN U.S. ONLY.

IMPORTANT:

1. THE SAFETY ANCHOR HAS BEEN DESIGNED TO ENSURE THAT FRACTURE OR DETACHMENT DOES NOT OCCUR WITH A 5,000 lbs. (22.2 KN) LOAD.
2. IT IS THE RESPONSIBILITY OF THE STRUCTURAL ENGINEER FOR THE OVERALL PROJECT TO ENSURE THAT THE STRUCTURE ON WHICH THE SAFETY EQUIPMENT BY PRO-BEL IS INSTALLED, IS REINFORCED TO WITHSTAND THE LOADS INDICATED ON THIS DRAWING.



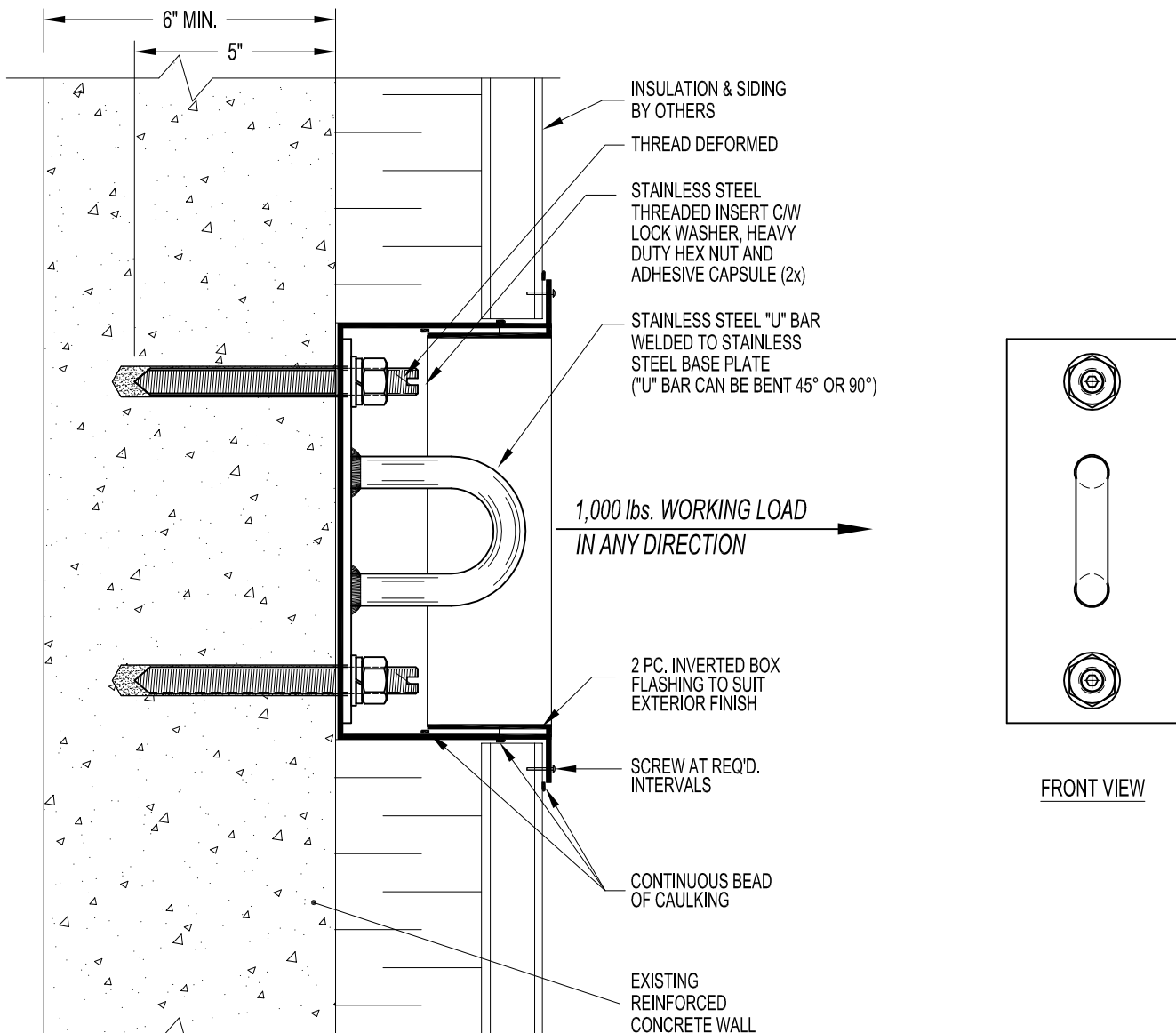
PB48S-2S-BF1: ADHESIVE WALL ANCHOR (TWO STUD) WITH ONE PIECE BOX FLASHING

NOTES:

1. 1,000 lbs. WORKING LOAD IN ANT DIRECTION.
2. ASSEMBLY SHOWN AS INSTALLED THROUGH EXISTING REINFORCED CONCRETE WALL.
3. MINIMUM CONCRETE WALL THICKNESS IS 6".
4. ALL ADHESIVE ANCHORS MUST BE LOAD TESTED.
5. ASSEMBLY AVAILABLE IN U.S. ONLY.

IMPORTANT:

1. THE SAFETY ANCHOR HAS BEEN DESIGNED TO ENSURE THAT FRACTURE OR DETACHMENT DOES NOT OCCUR WITH A 5,000 lbs. (22.2 KN) LOAD.
2. IT IS THE RESPONSIBILITY OF THE STRUCTURAL ENGINEER FOR THE OVERALL PROJECT TO ENSURE THAT THE STRUCTURE ON WHICH THE SAFETY EQUIPMENT BY PRO-BEL IS INSTALLED, IS REINFORCED TO WITHSTAND THE LOADS INDICATED ON THIS DRAWING.



PB48S-2S-BF2: ADHESIVE WALL ANCHOR (TWO STUD) WITH 2 PIECES BOX FLASHING