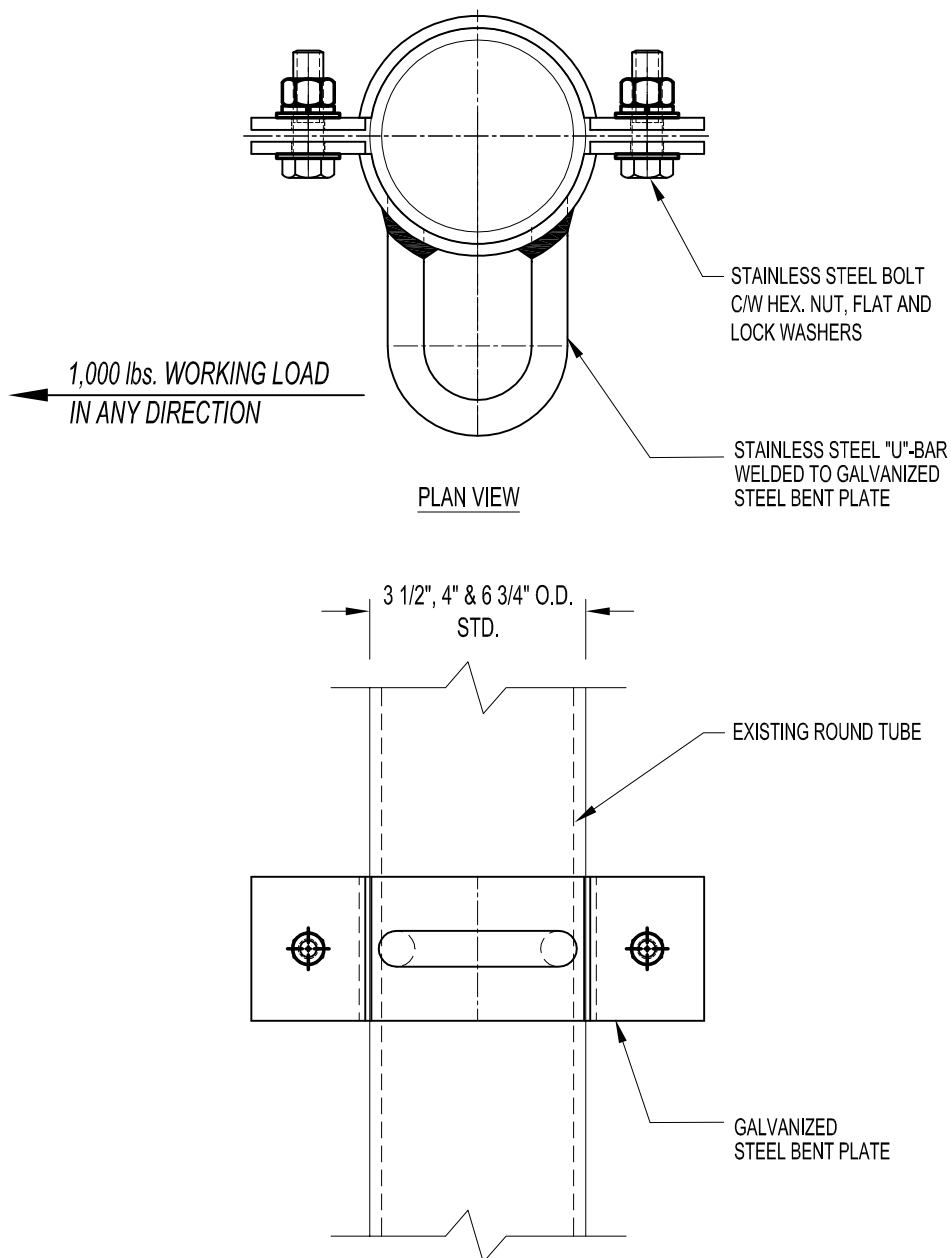


NOTES:

1. 1,000 lbs. WORKING LOAD.
2. MODEL SHOWN IS CLAMPING ON STANDARD 3 1/2", 4" & 4 1/2" O.D. ROUND TUBE.

IMPORTANT:

1. THE SAFETY ANCHOR HAS BEEN DESIGNED TO ENSURE THAT FRACTURE OR DETACHMENT DOES NOT OCCUR WITH A 5,000 lbs. (22.2 KN) LOAD.
2. IT IS THE RESPONSIBILITY OF THE STRUCTURAL ENGINEER FOR THE OVERALL PROJECT TO ENSURE THAT THE STRUCTURE ON WHICH THE SAFETY EQUIPMENT BY PRO-BEL IS INSTALLED, IS REINFORCED TO WITHSTAND THE LOADS INDICATED ON THIS DRAWING.



**PB-CLMP04: CLAMP ON ANCHOR FOR ROUND TUBE**