



**Pro-Bel Group Ltd.**  
765 Westney Road South  
Ajax, Ontario, Canada L1S 6W1

Toll Free: (800) 461-0575  
Tel: (905)-427-0616  
Fax: (905)-427-2545  
Email: info@pro-belgroup.com

**NOTES:**

1. ASSEMBLY SHOWN IS PRO-BEL HANDS FREE HORIZONTAL LIFELINE FALL ARREST SYSTEM.
2. NO TOOL IS REQUIRED FOR THIS SWAGELESS SYSTEM INSTALLATION.

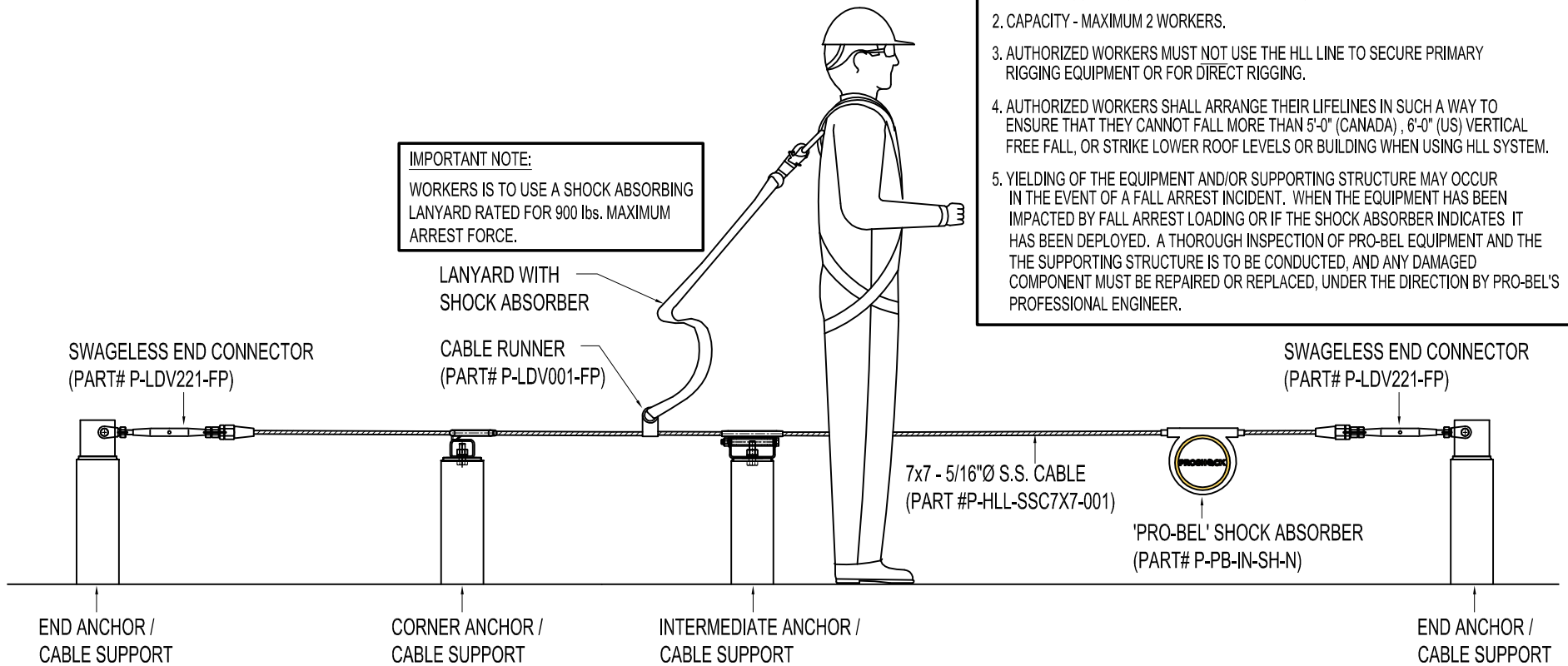
**IMPORTANT:**

1. PRO-BEL HORIZONTAL LIFELINE HANDS FREE (SWAGELESS) SYSTEM IS DESIGNED TO A TYPICAL MINIMUM LOAD OF 2,200 LBS. , WITH A FACTOR OF SAFETY OF 2 WITHOUT ANY PERMANENT DEFORMATION OR DETACHMENT.
2. IT IS THE RESPONSIBILITY OF THE STRUCTURAL ENGINEER FOR THE OVERALL PROJECT TO ENSURE THAT THE STRUCTURE ON WHICH THE SAFETY EQUIPMENT BY PRO-BEL IS INSTALLED, IS REINFORCED TO WITHSTAND THE LOADS INDICATED ON THIS DRAWING.

**INSTRUCTION FOR SAFE USE OF FALL ARREST HLL SYSTEM**

1. AUTHORIZED WORKERS SHOULD ENSURE THAT THE LANYARD IS APPROXIMATELY PERPENDICULAR TO THE HLL LINE AT ALL TIMES.
2. CAPACITY - MAXIMUM 2 WORKERS.
3. AUTHORIZED WORKERS MUST NOT USE THE HLL LINE TO SECURE PRIMARY RIGGING EQUIPMENT OR FOR DIRECT RIGGING.
4. AUTHORIZED WORKERS SHALL ARRANGE THEIR LIFELINES IN SUCH A WAY TO ENSURE THAT THEY CANNOT FALL MORE THAN 5'-0" (CANADA) , 6'-0" (US) VERTICAL FREE FALL, OR STRIKE LOWER ROOF LEVELS OR BUILDING WHEN USING HLL SYSTEM.
5. YIELDING OF THE EQUIPMENT AND/OR SUPPORTING STRUCTURE MAY OCCUR IN THE EVENT OF A FALL ARREST INCIDENT. WHEN THE EQUIPMENT HAS BEEN IMPACTED BY FALL ARREST LOADING OR IF THE SHOCK ABSORBER INDICATES IT HAS BEEN DEPLOYED. A THOROUGH INSPECTION OF PRO-BEL EQUIPMENT AND THE THE SUPPORTING STRUCTURE IS TO BE CONDUCTED, AND ANY DAMAGED COMPONENT MUST BE REPAIRED OR REPLACED, UNDER THE DIRECTION BY PRO-BEL'S PROFESSIONAL ENGINEER.

**IMPORTANT NOTE:**  
WORKERS IS TO USE A SHOCK ABSORBING LANYARD RATED FOR 900 lbs. MAXIMUM ARREST FORCE.



**HORIZONTAL LIFELINE FALL ARREST SYSTEM ASSEMBLY - HANDS FREE SYSTEM - PRO-SHOCK**



**Pro-Bel Group Ltd.**  
765 Westney Road South  
Ajax, Ontario, Canada L1S 6W1

Toll Free: (800) 461-0575  
Tel: (905)-427-0616  
Fax: (905)-427-2545  
Email: info@pro-belgroup.com

**NOTES:**

1. ASSEMBLY SHOWN IS PRO-BEL HANDS FREE HORIZONTAL LIFELINE FALL ARREST SYSTEM.
2. NO TOOL IS REQUIRED FOR THIS SWAGELESS SYSTEM INSTALLATION.

**IMPORTANT:**

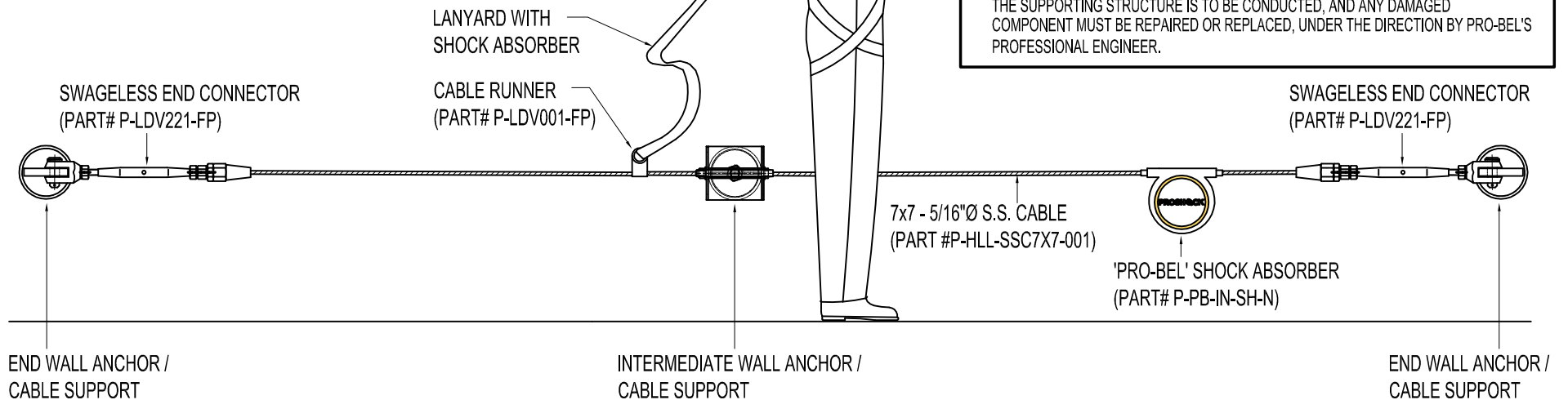
1. PRO-BEL HORIZONTAL LIFELINE HANDS FREE (SWAGELESS) SYSTEM IS DESIGNED TO A TYPICAL MINIMUM LOAD OF 2,200 LBS. , WITH A FACTOR OF SAFETY OF 2 WITHOUT ANY PERMANENT DEFORMATION OR DETACHMENT.
2. IT IS THE RESPONSIBILITY OF THE STRUCTURAL ENGINEER FOR THE OVERALL PROJECT TO ENSURE THAT THE STRUCTURE ON WHICH THE SAFETY EQUIPMENT BY PRO-BEL IS INSTALLED, IS REINFORCED TO WITHSTAND THE LOADS INDICATED ON THIS DRAWING.

**INSTRUCTION FOR SAFE USE OF FALL ARREST HLL SYSTEM**

1. AUTHORIZED WORKERS SHOULD ENSURE THAT THE LANYARD IS APPROXIMATELY PERPENDICULAR TO THE HLL LINE AT ALL TIMES.
2. CAPACITY - MAXIMUM 2 WORKERS.
3. AUTHORIZED WORKERS MUST NOT USE THE HLL LINE TO SECURE PRIMARY RIGGING EQUIPMENT OR FOR DIRECT RIGGING.
4. AUTHORIZED WORKERS SHALL ARRANGE THEIR LIFELINES IN SUCH A WAY TO ENSURE THAT THEY CANNOT FALL MORE THAN 5'-0" (CANADA) , 6'-0" (US) VERTICAL FREE FALL, OR STRIKE LOWER ROOF LEVELS OR BUILDING WHEN USING HLL SYSTEM.
5. YIELDING OF THE EQUIPMENT AND/OR SUPPORTING STRUCTURE MAY OCCUR IN THE EVENT OF A FALL ARREST INCIDENT. WHEN THE EQUIPMENT HAS BEEN IMPACTED BY FALL ARREST LOADING OR IF THE SHOCK ABSORBER INDICATES IT HAS BEEN DEPLOYED. A THOROUGH INSPECTION OF PRO-BEL EQUIPMENT AND THE THE SUPPORTING STRUCTURE IS TO BE CONDUCTED, AND ANY DAMAGED COMPONENT MUST BE REPAIRED OR REPLACED, UNDER THE DIRECTION BY PRO-BEL'S PROFESSIONAL ENGINEER.

**IMPORTANT NOTE:**

WORKERS IS TO USE A SHOCK ABSORBING LANYARD RATED FOR 900 lbs. MAXIMUM ARREST FORCE.



**HORIZONTAL LIFELINE FALL ARREST SYSTEM ASSEMBLY - HANDS FREE SYSTEM - PRO-SHOCK**