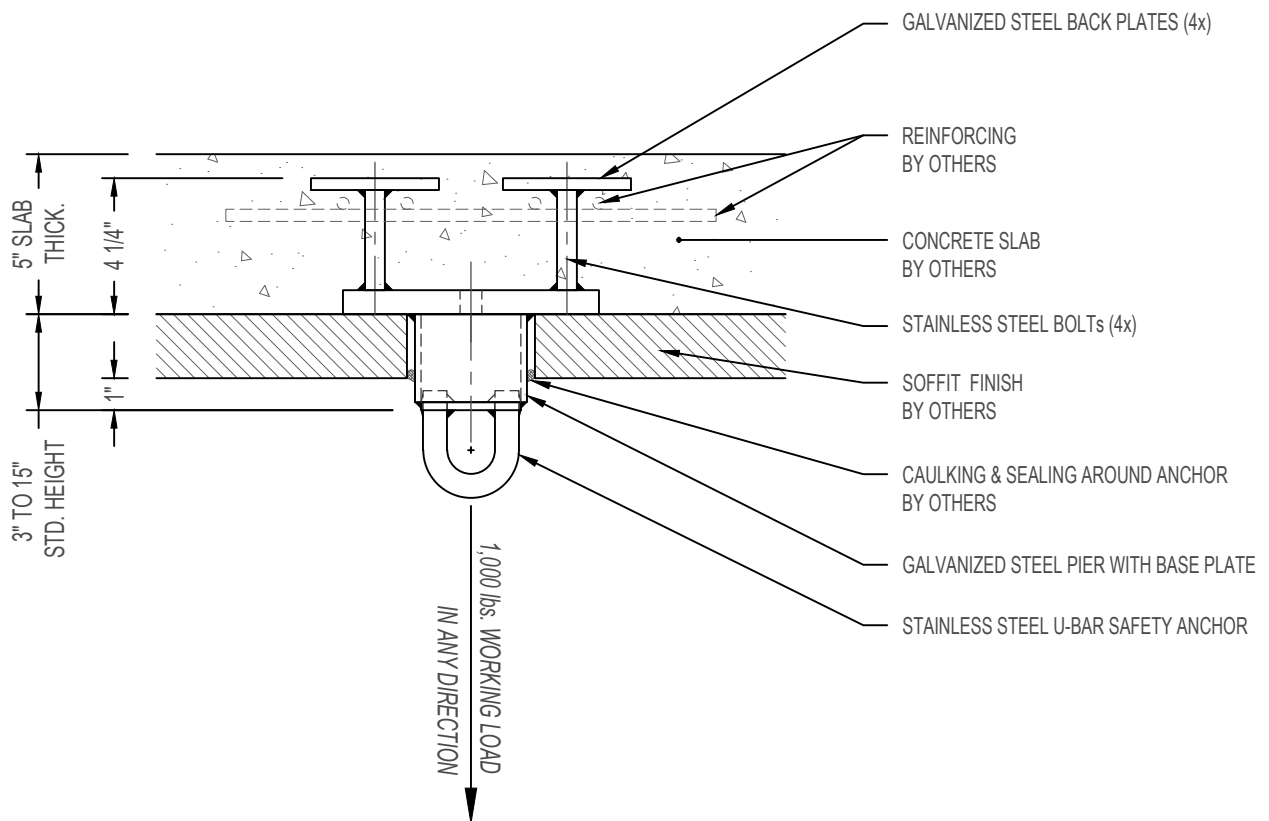


NOTES:

1. 1,000 lbs. WORKING LOAD IN ANY DIRECTION.
2. ASSEMBLY SHOWN AS CAST IN REINFORCED POURED CONCRETE SLAB.
3. MINIMUM CONCRETE SLAB THICKNESS IS 5".
4. ASSEMBLY SHOWN WITH FLUSH SOFFIT COVERING.

IMPORTANT:

1. THE SAFETY ANCHOR HAS BEEN DESIGNED TO ENSURE THAT FRACTURE OR DETACHMENT DOES NOT OCCUR WITH A 5,000 lbs. (22.2 KN) LOAD.
2. IT IS THE RESPONSIBILITY OF THE STRUCTURAL ENGINEER FOR THE OVERALL PROJECT TO ENSURE THAT THE STRUCTURE ON WHICH THE SAFETY EQUIPMENT BY PRO-BEL IS INSTALLED, IS REINFORCED TO WITHSTAND THE LOADS INDICATED ON THIS DRAWING.



CAST-IN PLACE SOFFIT ANCHOR (FOUR S.S. STUDS) - THIN SLAB < 6"